

4

3

2

1

019-01-095
Fastener, Standard (Metric): Screw [M3 X 6mm] SHCS, Patchlock

210-22-761
Lever, Compression Selector, 2014 32mm CTD

036-01-044
Seals: U-Cup, Shore 70A, 2013 CTD-ADJ, Remote Fit-CTD and Remote O/C-CTD

210-22-585
Knob, LSC adjust, 2013 CTD, F

036-01-043
Seals: U-Cup, Shore 70A, 2013 Fit-CTD and CTD-ADJ

210-22-593
Low Speed Needle Pusher, 2013 CTD, F

TORQUE:
220±5 IN-LB

018-01-007
Socket Set Half Dog Point Screw [#8-32 X 0.250 TLG]

Seals: O-Ring [15mm ID x 1.5mm CS] Metric, N-70, Static

029-08-053

241-00-022
Fastener, Custom: Nut, Bottom, 011 RC2

241-01-011

Fastener, Custom: Crush Washer, Plastic, 13mm

TORQUE:
11±3 IN-LB

TORQUE:
11±3 IN-LB

GREASE:
THIN LAYER

GREASE:
THIN LAYER

GREASE:
THIN LAYER
ON MATING KNOB SURFACE

039-00-302
Tolerance Spring, 2014 CTD F/P

SEE DETAIL A

2014 34 831 Factory "Med Climb Mode" Fit CTD-Adj Cartridge Assy

REFERENCE ONLY
(FOR INSTALLATION
INTO FORK)

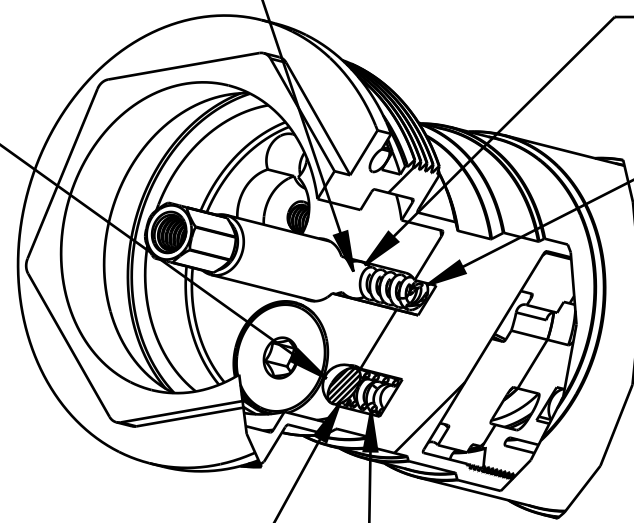
TORQUE:
50±5 IN-LB

GREASE:
THIN LAYER OF SLICK HONEY ONLY!
ON BALL

GREASE:
LIGHT COAT
ON BALL

010-01-012
Ball [Ø.1094]

039-00-227
Spring: Detent [.24 TLG X .102 OD X 90 lb/in] Stainless Steel



039-00-171
Spring: LSC Knob Detent [0.180 TLG x 0.075 ID x 100 lb/in]

010-01-000
Ball [Ø 0.1250] Steel
DETAIL A

FOX FOX Factory, Inc. Ph 831-768-1100
130 Hangar Way, Watsonville, CA 95076 USA Fax 831-768-9312

TITLE
2014 34 831 "Med Climb Mode"
CTD-Adj Cartridge Assy Complete

SIZE DWG. NO.
C 820-08-520-KIT

PLOT SCALE 0.80:1 SHEET 1 OF 1

PROPRIETARY
THIS DOCUMENT CONTAINS CONFIDENTIAL, PROPRIETARY INFORMATION
THAT IS FOX PROPERTY. DO NOT DISCLOSE TO OR DUPLICATE
FOR OTHERS EXCEPT AS AUTHORIZED BY FOX.

4

3

2

ProE ASSEM